

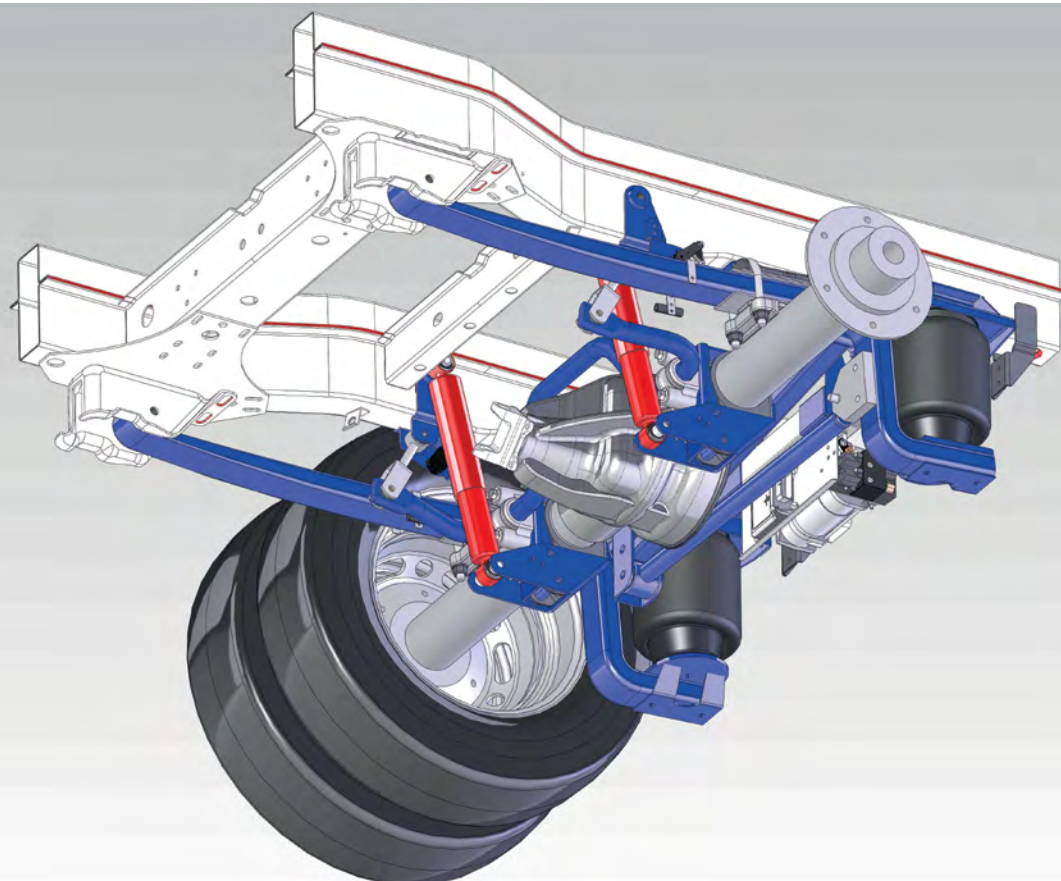


VB-FULLAIR

making everyday smoother



air suspension



- Increased comfort • Better driveability • More safety



GENERAL INFORMATION

FRONT AND REAR AXLE

PRODUCT SHEET

PRODUCT SHEET

VB-FullAir is a fully automatic (adjustable) solution for suspension problems. The existing leaf- or coil-spring is replaced by a complete air-suspension system (including air springs, shock absorbers, a compressor and an electronic control unit).

While driving, the vehicle will constantly remain at the ride height set by VB-Airsuspension (during installation). Both the road holding and the stability of the vehicle will be improved, which in turn will enhance safety. When the vehicle stands still (pulled on parking brake), it is possible to raise and lower the step height / load platform to ease loading and unloading.

VB-FullAir steering

The VB-FullAir system comes with an electronic control unit called VB-ASCU (VB-Air Suspension Control Unit). This unit automatically monitors and corrects the vehicle's ride height. This ongoing process of monitoring and correction – which is unaffected by the load being transported – ensures safer vehicle handling and increases comfort.



Applications

The VB-FullAir system can be used for a wide range of situations and applications:

- Ambulances
- Car transporters
- Commercial vehicles
- Motorhomes
- Animal transport
- Offroad vehicles
- Transportation of passengers
- Emergency rescue vehicles
- Wheelchair accessible vehicles
- Service vehicles

Dealer:



Benefits of VB-FullAir:

- Constant ride height
- Avoidance of “leaning”
- Avoidance of “sagging”
- Increased comfort
- Better driveability
- Increased stability
- More safety
- Comfortable transportation of passengers
- Kneeling function for allowing passengers to enter and exit the vehicle
- Better protection for fragile/delicate goods
- Kneeling function for loading and unloading goods

	<p>VB-FullAir 2C, is a full air suspension system for the front axle or rear axle</p>
	<p>VB-FullAir 3C, is a semi air suspension system for the front axle and a full air suspension system for the rear axle</p>
	<p>VB-FullAir 4C, is a full air suspension system for the front-and rear axle</p>

Available VB-FullAir options	2C	3C	4C
Manual raising	x	x	x
Manual lowering	x	x	x
Memory function	x *		x *
CarPark / Parking		x	x
AutoLevel (level-ground)			x
Offroad		x	x
Tilt function (water tank)			x *
Sport			x *
Ferry	x *	x	x *
Garage	x *	x	x *

* depending on the version.